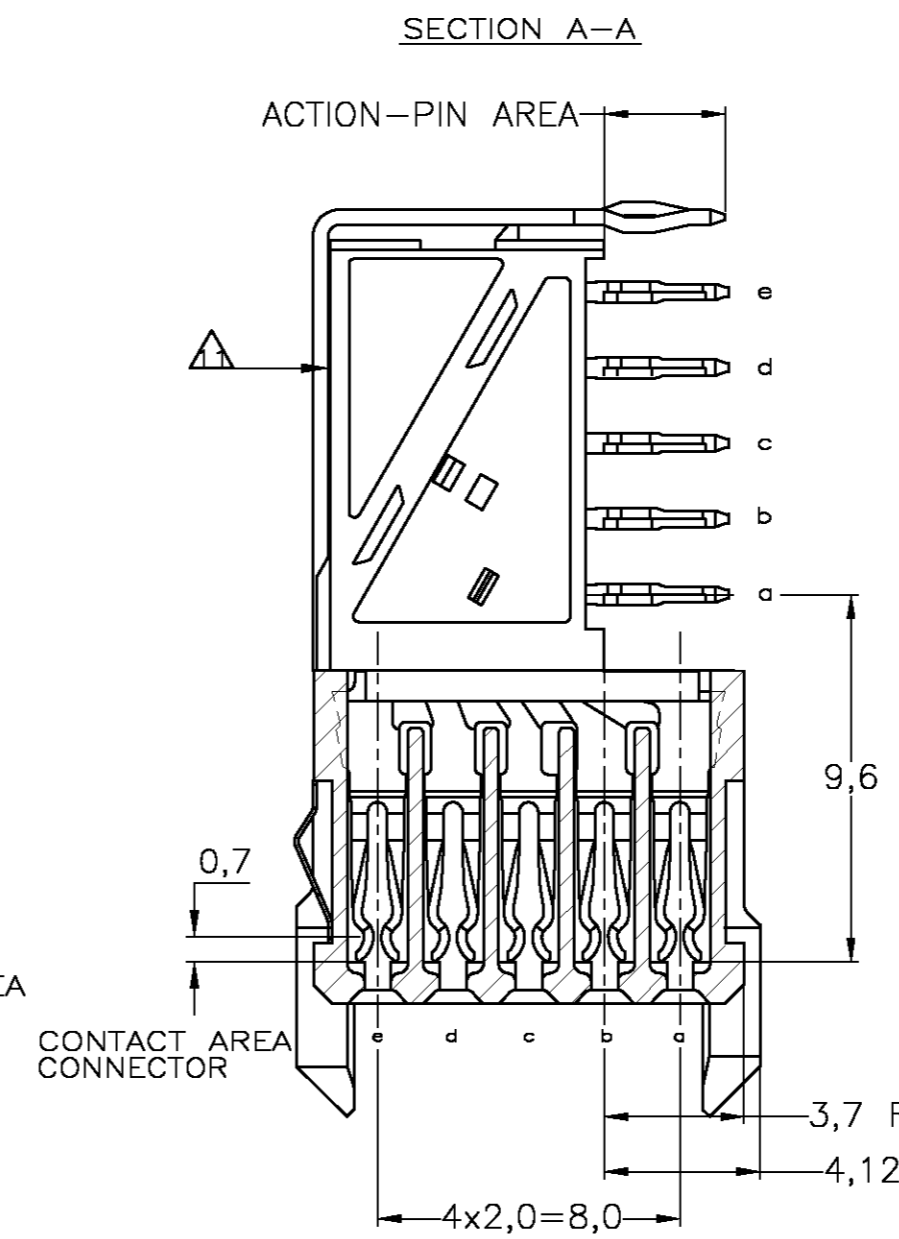
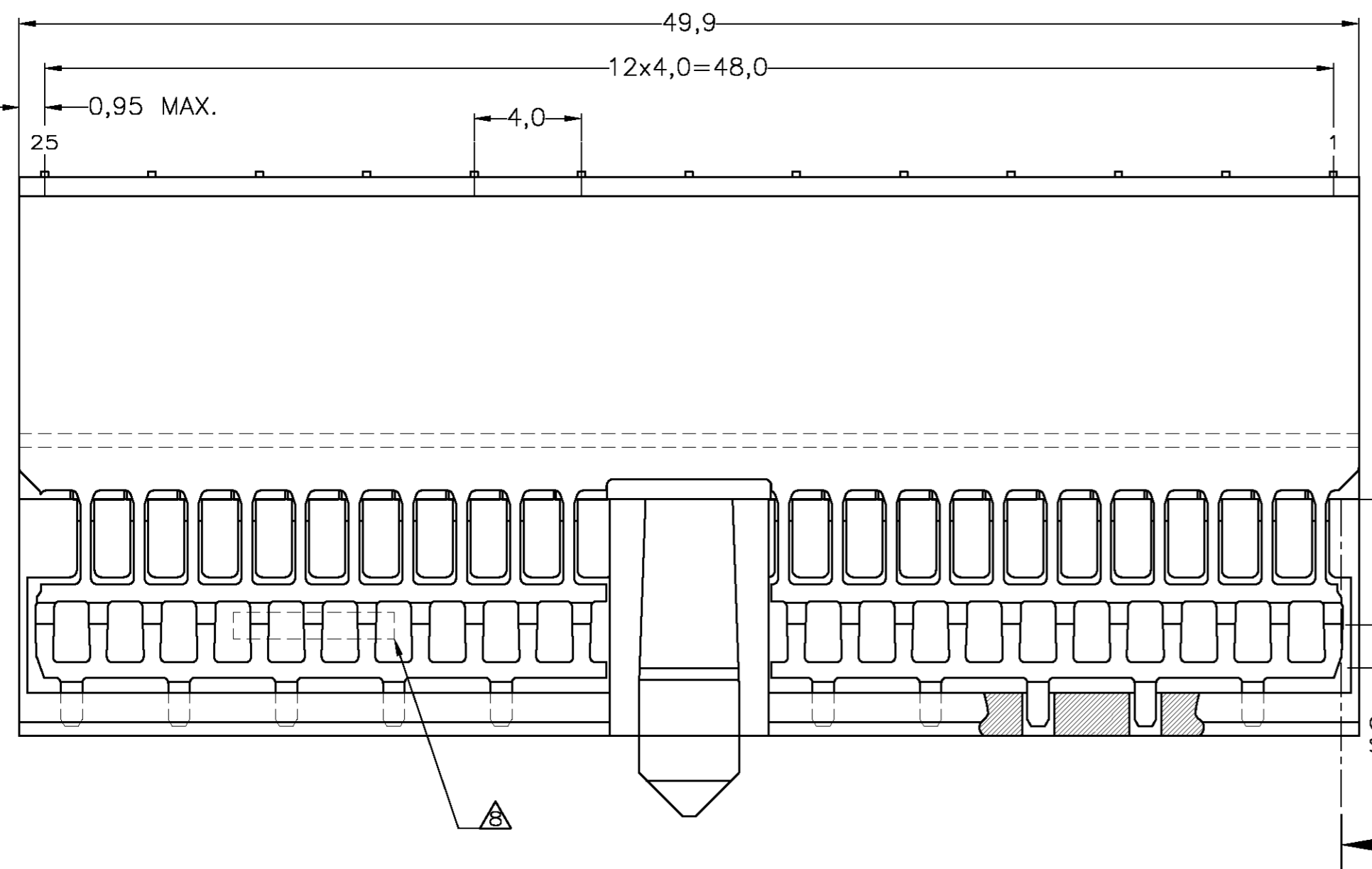
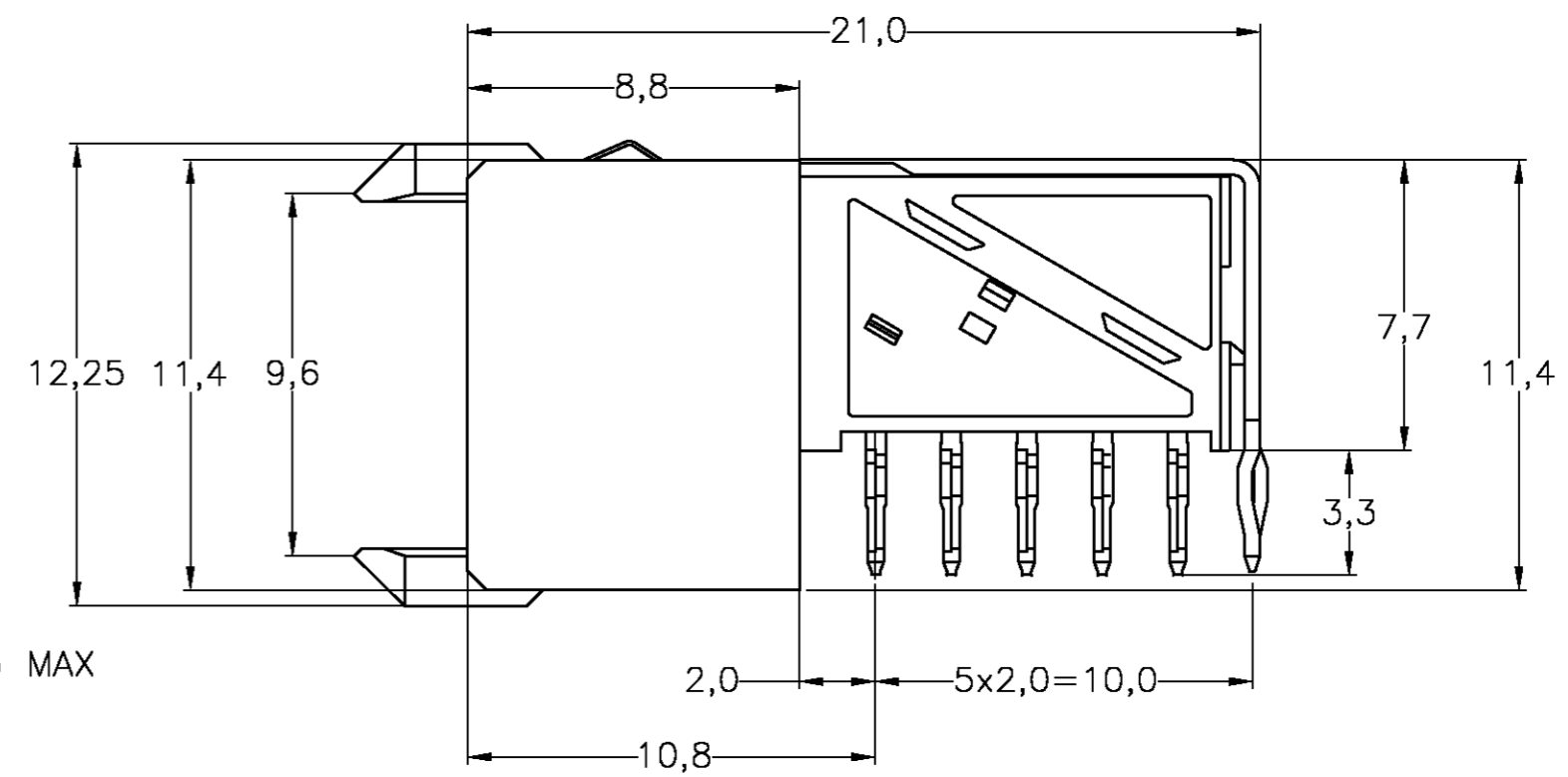
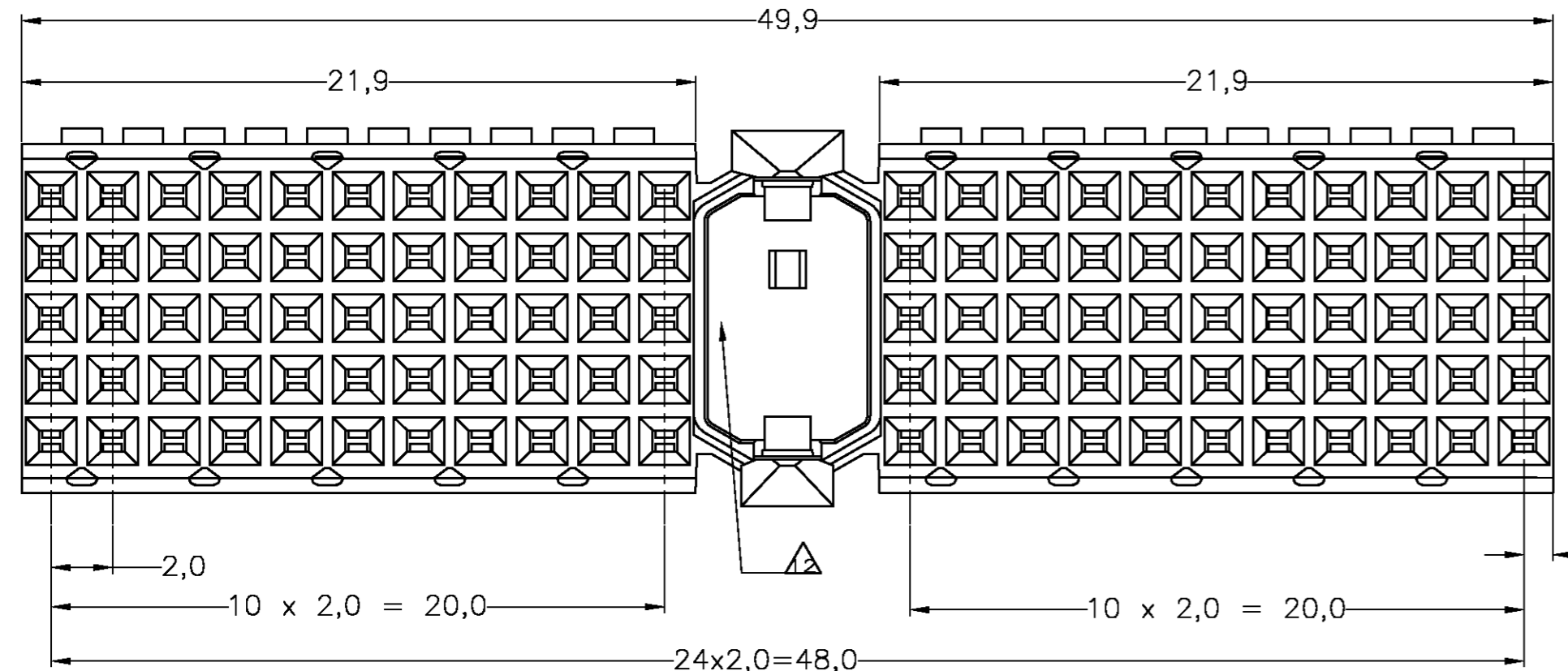


THIS DRAWING IS UNPUBLISHED. RELEASED FOR PUBLICATION
 © COPYRIGHT BY TYCO ELECTRONICS CORPORATION. ALL RIGHTS RESERVED.

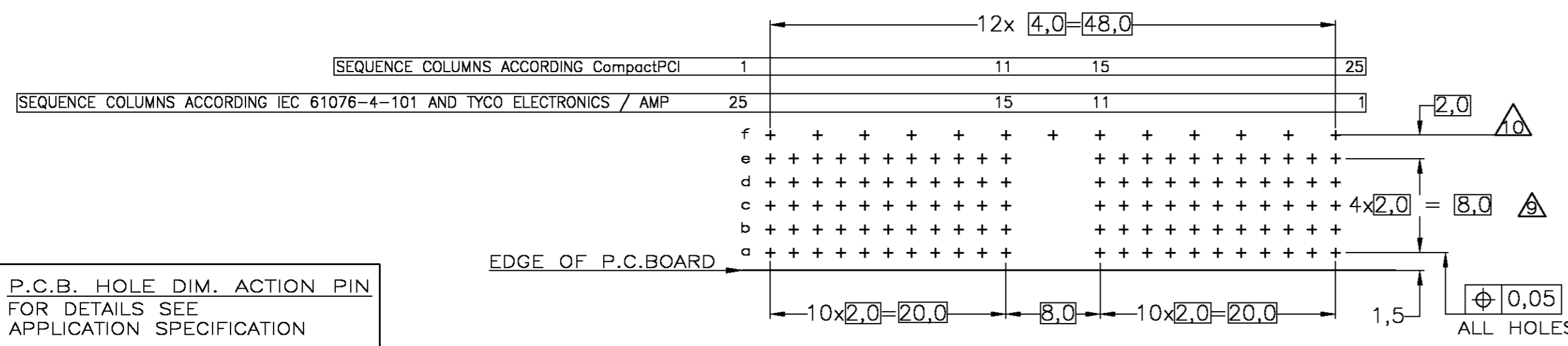
LOC		DIST		REVISIONS			
P	LTR	DESCRIPTION	DATE	DWN	APVD		
H3		ECR-07-019485	18SEP2007	JvH	BM		



- NOTES:**
- ⚠ MATERIAL CONTACTS; PHOSPHORBRONZE
 - ⚠ MATERIAL HOUSING; GLASSFILLED POLYESTER (GRAY)
 - ⚠ GENERAL PLATING SPECIFICATION: UNDERPLATING (ENTIRE CONTACT): 1,27µm NICKEL MIN. AND ACTION PIN: 0,5µm TIN-LEAD MIN. FOR PLATING OF MATING SURFACES SEE APPLICABLE SPECIFICATION REFERENCE FOR EACH DASH NUMBER.
 - ⚠ CONFORMS TO ALL TESTING ACCORDING IEC 61076-4-101 PERFORMANCE LEVEL 2.
 - ⚠ CONFORMS TO ALL TESTING ACCORDING IEC 61076-4-101 PERFORMANCE LEVEL 1.
 - ⚠ CONNECTOR TESTED AND QUALIFIED AGAINST TELCORDIA GR-1217-CORE QUALITY LEVEL III, CENTRAL OFFICE APPLICATIONS.
 - ⚠ CONNECTOR LUBRICATED WITH TELCORDIA GR-1217-CORE APPROVED LUBRICANT.
 - ⚠ PLATING SHIELD:
CONTACT AREA: 0,76µm Au MIN.
ACTION PIN : 0,5µm SnPb MIN.
REMAINDER : Ni
 - ⚠ ASSEMBLY PRINTED WITH P/N AND DATECODE. THE MARKING CAN APPEAR ON THE FRONT SIDE OR BACK SIDE.
 - ⚠ HOLE PATTERN FOR FEMALE CONNECTOR TYPE A 110 PLATED-THROUGH HOLES AT 2x2mm SQUARE GRID
 - ⚠ ROW "f" 13 PLATED THROUGH HOLES FOR UPPERSHIELD
 - ⚠ SHIELD MOUNTED ON CONNECTOR WITH DOUBLE SIDED ADHESIVE TAPE OR ADHESIVE
 - ⚠ AREA RESERVED FOR KEYING PART (BASIC P.N. 100526) 13 BASIC P.N. LOWERSHIELD: 338108



COMPONENT SIDE AS SHOWN
 RECOMMENDED PCB-HOLE LAY-OUT
 SCALE 2,5:1



P.C.B. HOLE DIM. ACTION PIN
 FOR DETAILS SEE
 APPLICATION SPECIFICATION

THIS DRAWING IS A CONTROLLED DOCUMENT.

DIMENSIONS:	TOLERANCES UNLESS OTHERWISE SPECIFIED:
mm	0 PLC ± -
	1 PLC ± -
	2 PLC ± -
	3 PLC ± -
	4 PLC ± -
	ANGLES ± -
MATERIAL	FINISH
-	-

FINISH	MATERIAL	PARTNUMBER
⚠⚠⚠⚠	⚠	352068-9
⚠⚠⚠⚠	⚠	352068-4
⚠⚠⚠⚠	⚠	352068-1

DWN: D. TRUREN
 CHK: -
 APVD: -
 PRODUCT SPEC: 108-19082
 APPLICATION SPEC: 114-19029
 WEIGHT: -
 CUSTOMER DRAWING: -
 Tyco Electronics Corporation
 s-Hertogenbosch, Netherlands
 Z-PACK 2MM HM
 TYPE A - 25 COLUMNS
 PRE-SHIELDED RECEPTACLE
 SIZE: A2 CAGE CODE: 00779 DRAWING NO: 352068 RESTRICTED TO: -
 SCALE: NTS SHEET: 1 OF 1 REV: H3